

heliX2®

A new generation of S.R.Smith's popular pool slide is here- Introducing the heliX2®!



- Deeper 360° corkscrew flume for fast and safe sliding
- Patented water feature delivery system for a dramatic fountain effect
- 7'4" in height (6'5 1/2" to seat)
- Accommodates sliders up to 250 lbs/113kg
- Sturdy rotomolded construction – for strength and durability
- Enclosed ladder and molded handrail design for maximum safety
- Designed for quick and easy assembly with simple deck mounted installation
- Water delivery system can be plumbed through the pool's return line or connected to a garden hose
- Intended for in-ground residential swimming pools only



Slide Color*

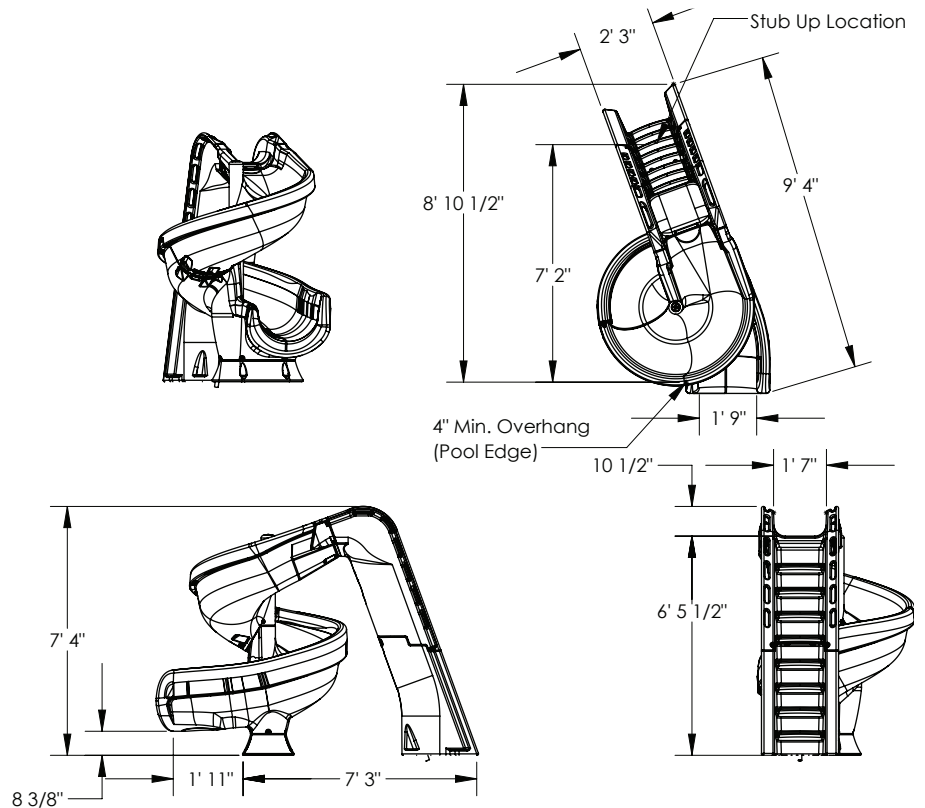
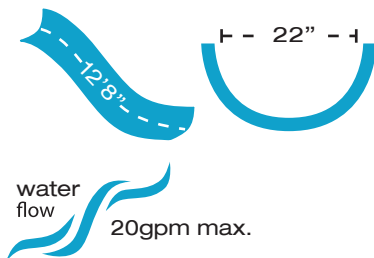


* Due to printing technology, actual color may differ.

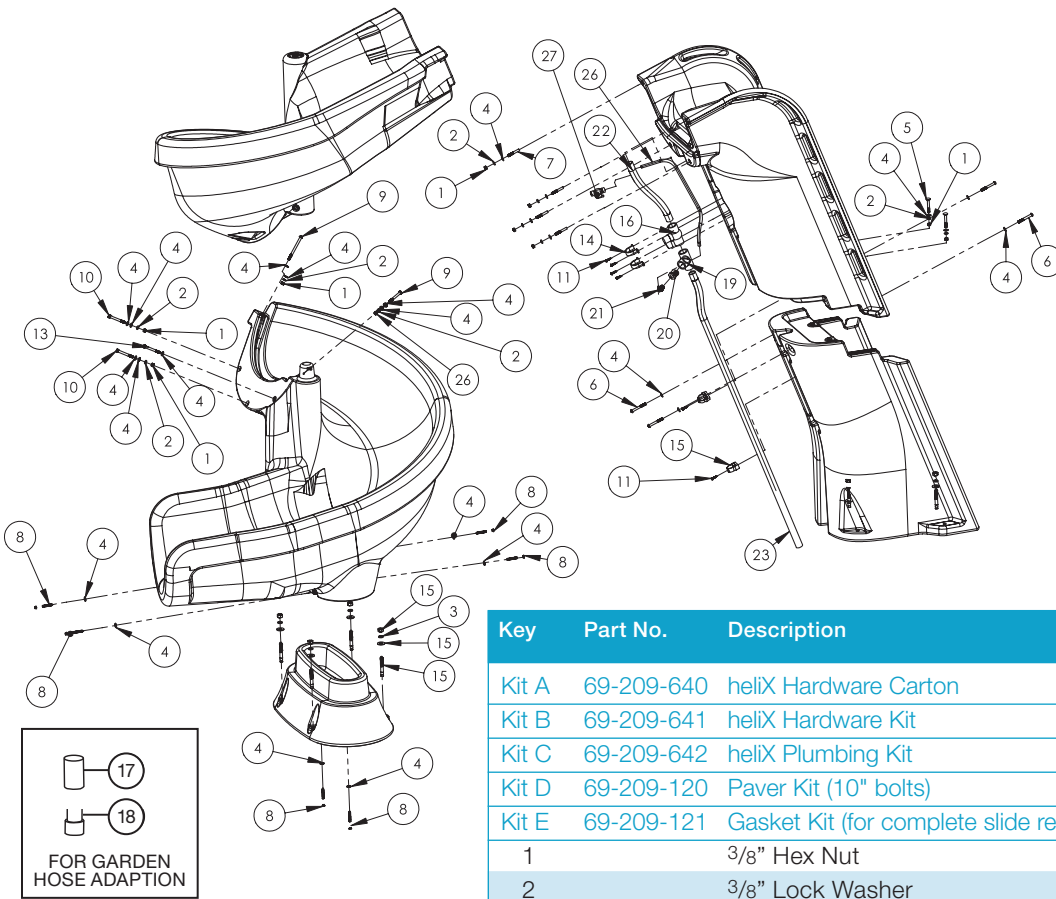
Model No.	Description	Shipping			
		Weight	Length	Width	Height
640-209-58124	Gray Granite*	390 lbs 159kg	65" 165cm	89" 226cm	49" 124cm
640-209-58123	Sandstone*				
640-209-58120	Solid Gray				
640-209-58110	Solid Taupe				

* Gray Granite and Sandstone slides are not an exact match with Gray Granite or Sandstone diving boards & stands due to differences in material. Please consult your sales representative for more details.

Flume Details



All S.R.Smith, LLC swimming pool slides fully comply with Consumer Products Safety Commission (CPSC) mandatory safety Standard for Swimming Pool Slides (16 CFR 1207) and are certified by independent third party testing labs. the installer or end- user is responsible for complying with local building codes for the location, installation, construction or assembly of these slides. S.R.Smith, LLC makes no representations that the location, installation, construction or assembly of its slides meet local building codes.



Key	Part No.	Description	Kit A	Kit B	Kit C
Kit A	69-209-640	heliX Hardware Carton	•		
Kit B	69-209-641	heliX Hardware Kit		•	
Kit C	69-209-642	heliX Plumbing Kit			•
Kit D	69-209-120	Paver Kit (10" bolts)			
Kit E	69-209-121	Gasket Kit (for complete slide re-gasket)			
1		3/8" Hex Nut	•	•	
2		3/8" Lock Washer	•	•	
3		1/2" Lock Washer	•	•	
4		3/8" Flat Washer	•	•	
5		3/8" x 2 3/4" Carriage Bolt	•	•	
6		3/8" x 3" Button Head Cap Screw	•	•	
7		3/8" x 2 1/2" Stud	•	•	
8		3/8" x 3 1/2" Lag Screw	•	•	
9		3/8" x 5" Button Head Cap Screw	•	•	
10		3/8" x 3 1/2" Hex Head Cap Screw	•	•	
11		#14 x 1" Pan Head Tapping Screw	•	•	
12		1/2" x 5" Anchor Stud	•	•	
13		3/8"-16 x 2 Hex Head Tap Bolt	•	•	
14		1 1/2" PVC Pipe Strap	•		•
15		1" Pipe Clamp	•		•
16		1" Ball Valve	•	•	•
17		1" Coupling	•		•
18		Garden Hose Adapter	•		•
19		1" Female Tee Fitting	•		•
20		1" x 1/2" Reducer	•		•
21		3/8" to 1/2" barbed 90° elbow fitting	•		•
22	05-786-1	1" PVC Flex Hose, 16" long			
23	05-786-2	1" PVC Flex Hose, 64" long			
24		1" PVC Pipe x 2" Long	•		•
25		3/8" Acorn Nut	•	•	
26	05-040-2	1/2" OD X 3/8" ID Polyethylene Tubing (23")			
27	05-642	Valve for 1/2" OD Tubing			
	8-545A	Ladder/Runway Gasket			
	8-532	Runway Gasket (2.7' required. Sold by foot)	•		

Visit srsmith.com to view slide assembly and installation video.