

ULTIMATE OZONE[™] CORONA DISCHARGE PUMP



The most aggressive way to sanitize and improve water quality and clarity



FEATURES

- Reduces chlorine use
- Low energy cost
- Clearer, cleaner water
- Kills harmful microorganisms
- Eradicates oils and other impurities
- Will not dry out skin or irritate eyes
- CE approved components

U1000

- Power requirements:
110/120 volts
.28 amps
- Ozone output: 1 gram per hour /
24 grams a day

U2000

- Power Requirements:
110/120 volts
.56 amps
- Double the output of the U1000
- Ozone output: 2 grams per hour /
48 grams a day

U.S. patents pending



Part #
OZG2008



Part #
OZG4017



Part #
OZG4016

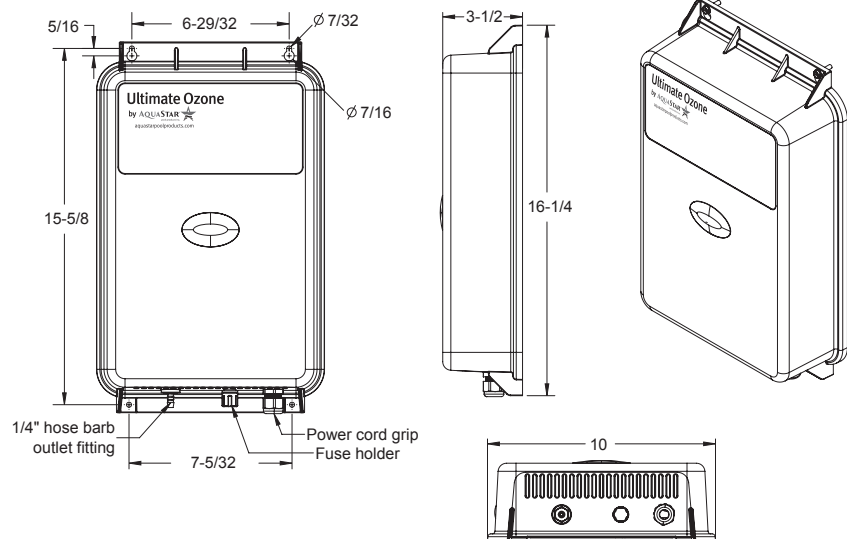
Part # U1000 / U2000

Also available as U3000 Kit

- Includes:
- U1000
- OZG4017 – 1 pc
- OZG4016 – 100 ft

Optional Accessories

- 1/4" Barbed Tee
OZG2008
- Ozone Compatible 1/4" Tubing
OZG4016
- Ozone Diffuser Stone
OZG4017



TYPICAL CORONA DISCHARGE PUMP INSTALLATION



The most aggressive way to sanitize and improve water quality and clarity

